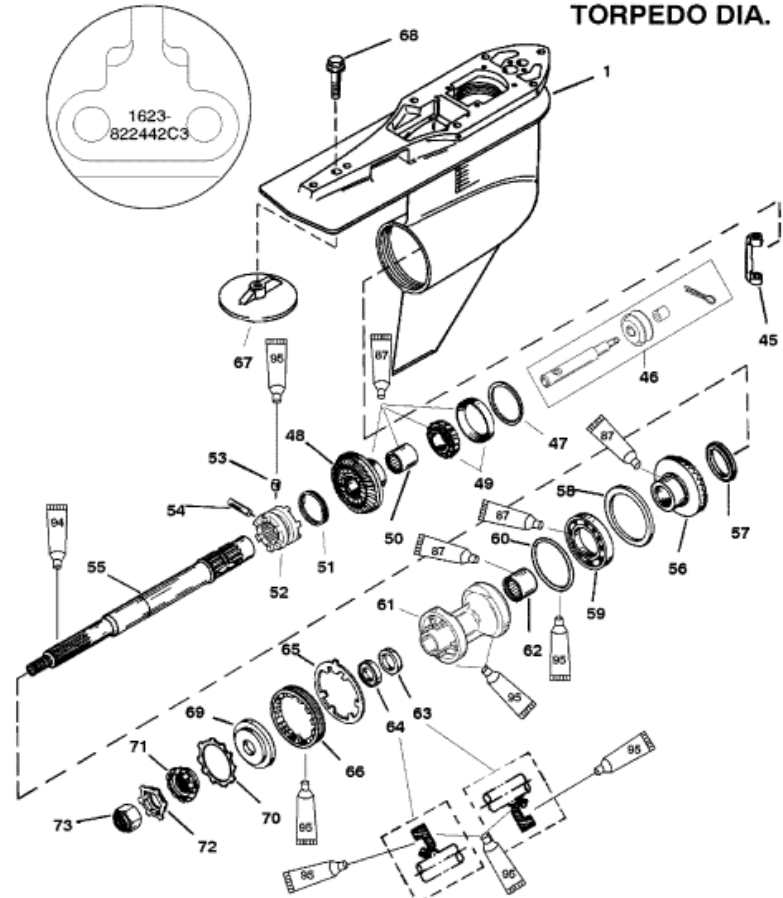


**4.75 IN/120.65MM  
 TORPEDO DIA.**



- Super Duty Gear Lubricant (92-13783A24)
- Anti-Corrosion Grease (92-78376A6)
- 2-4-C With Teflon (92-825407A12)

**Parts List**

Ref	Class	Part	Description	Qty	Comment	Footnote
1	1623	822442A83	GEAR HOUSING	1	BASIC-BLACK	
1	1623	822442A84	GEAR HOUSING	1	BASIC-GRAY	
1	1623	822442A79	GEAR HOUSING	1	BASIC-WHITE	
45		823903	SHIFT CRANK	1		
46		19755A 7	SHIFT SPOOL KIT	1		
47	15	44491A 1	SHIM	AP		6
48	43	828168A 2	FORWARD GEAR SET	1	(1.75:1 - 12/21) INCLUDES PINIO	
48	43	828170A 2	FORWARD GEAR SET	1	(1.87:1 - 15/28) INCLUDES PINIO	
49	31	30894A 1	TAPERED ROLLER BEARING	1		
50	31	30895	ROLLER BEARING	1		
51	24	30893	SPRING	1		
52	52	828288	SLIDING CLUTCH	1		
53	17	828356	DETENT PIN	1		
54	17	30632	CROSS PIN	1		
55	44	824110	PROPELLER SHAFT	1		
56	43	828169A 1	REVERSE GEAR	1	(1.75:1 - 12/21)	
56	43	828171A 1	REVERSE GEAR	1	(1.87:1 - 15/28)	
57	23	824108	THRUST SPACER	1		
58		68100 1	THRUST RING	1		
59	30	88957	BALL BEARING	1		
60	25	31534	O RING	1		7
61		818763A11	BEARING CARRIER	1		
62	31	30956	ROLLER BEARING	1		
63	26	14077	OIL SEAL (INSIDE)	1		7
64	26	76868	OIL SEAL (OUTSIDE)	1		7
65	14	18323	TAB WASHER	1		
66		79448	COVER	1		
67		76214A 5	ANODIC PLATE	1	THESE PARTS ARE NOT INCLU	
68	10	806327	SCREW	1	THESE PARTS ARE NOT INCLU	
69	12	835467	THRUST WASHER	1	THESE PARTS ARE NOT INCLU	
70	13	42351 1	LOCKWASHER	1	THESE PARTS ARE NOT INCLU	
71	12	31211A 2	WASHER	1	THESE PARTS ARE NOT INCLU	
72	14	816629	TAB WASHER	1	THESE PARTS ARE NOT INCLU	
73	11	52707A 1	PROPELLER NUT	1	THESE PARTS ARE NOT INCLU	
-	26	816575A 4	G/H SEAL KIT	1		